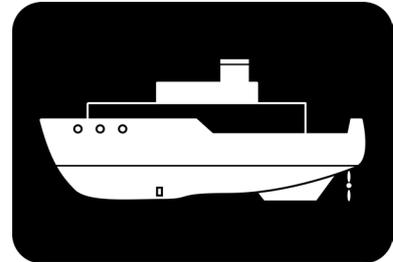
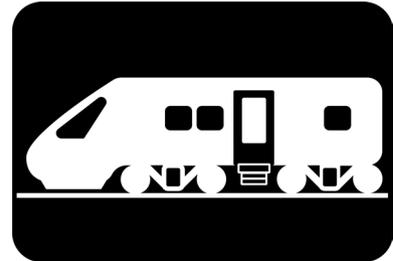


MEMS - IMU JIMS-80S



Key features

- Cost effective MEMS Inertial sensor
- Real time data outputs : Angular rate, acceleration, roll, pitch
- Data rate of 100Hz
- Compact and lightweight
54 × 110 × 29 (mm), 220g
- IP67 Waterproof, Dustproof
- Ruggedized

Applications

- Railway
- Ships
- Vehicles
- Drones

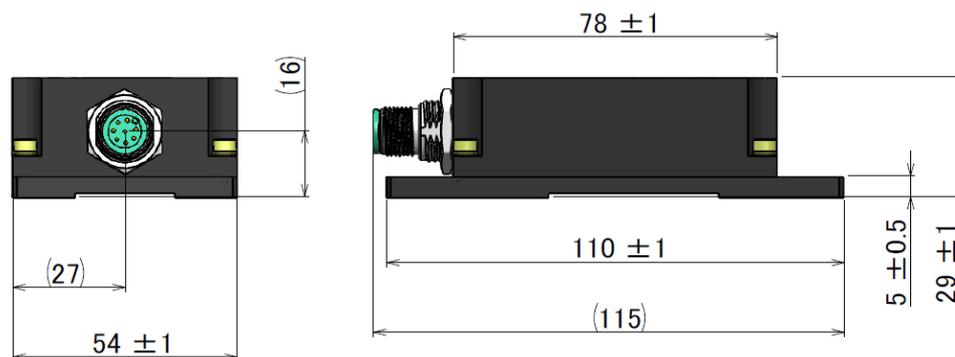
The JIMS-80S is a compact and light weight MEMS (micro electro mechanical system) based IMU (inertial measurement unit) that utilizes JAE's proprietary inertial navigation technology originally developed for the aerospace/space industry. Three gyroscopes and three accelerometers are mounted in one compact unit with outputs optimized using a specially developed algorithm. Accurate measurements of attitude angle, angular rate and acceleration can then be provided for applications including industrial equipment or vehicles.

To be exported in accordance with all relevant regulations

Technical data

Performance		
Attitude	Roll ($\pm 180^\circ$)	0.1°rms
	Pitch ($\pm 90^\circ$)	0.1°rms
	Yaw (0-360°)	-
Angular Rate	Range	$\pm 300^\circ/\text{s}$
Acceleration	Range	$\pm 78.4 \text{ m/s}^2$
Function and Interface		
Data outputs	Angular Rate, Acceleration, Attitude (Pitch, Roll, Yaw)	
Interface	CAN	
	RS-232C (10Hz)	
Electrical		
Power Supply Voltage	+9VDC to +32VDC	
Power Consumption	$\leq 1\text{W}$	
Mechanical		
Width×Depth×Height	W54×D110×H29mm	
Weight	$\leq 0.22\text{kg}$	

Dimensional drawings



Contact information

For more information on these products and other product ranges visit www.jae.com

North and South America

JAE Electronics, Inc.
1100 W. Park One Drive
Sugar Land
TX 77478
United States

T: +1 281 325 5760
E: support.aerospace@jae.com

Europe

JAE Europe, Ltd.
Royal Pavilion, Tower 3
1st Floor, Wellesley Road
Aldershot, Hampshire
GU11 1PZ
United Kingdom

T: +44 1252 55 11 00
E: support.aerospace@jae.co.uk

Japan and Rest of World

Japan Aviation Electronics
Industry, Ltd.
1-19, Aobadai 3-chome
Meguro-ku
Tokyo 153-8539
Japan

T: +81 3 3780 2925
E: aerinfo@jae.co.jp

Document revision table

Document number	Issue	Revision date	Changes
VCL001-000025	01	10/01/2021	New document

JAE reserves the right to modify specifications without prior notice.